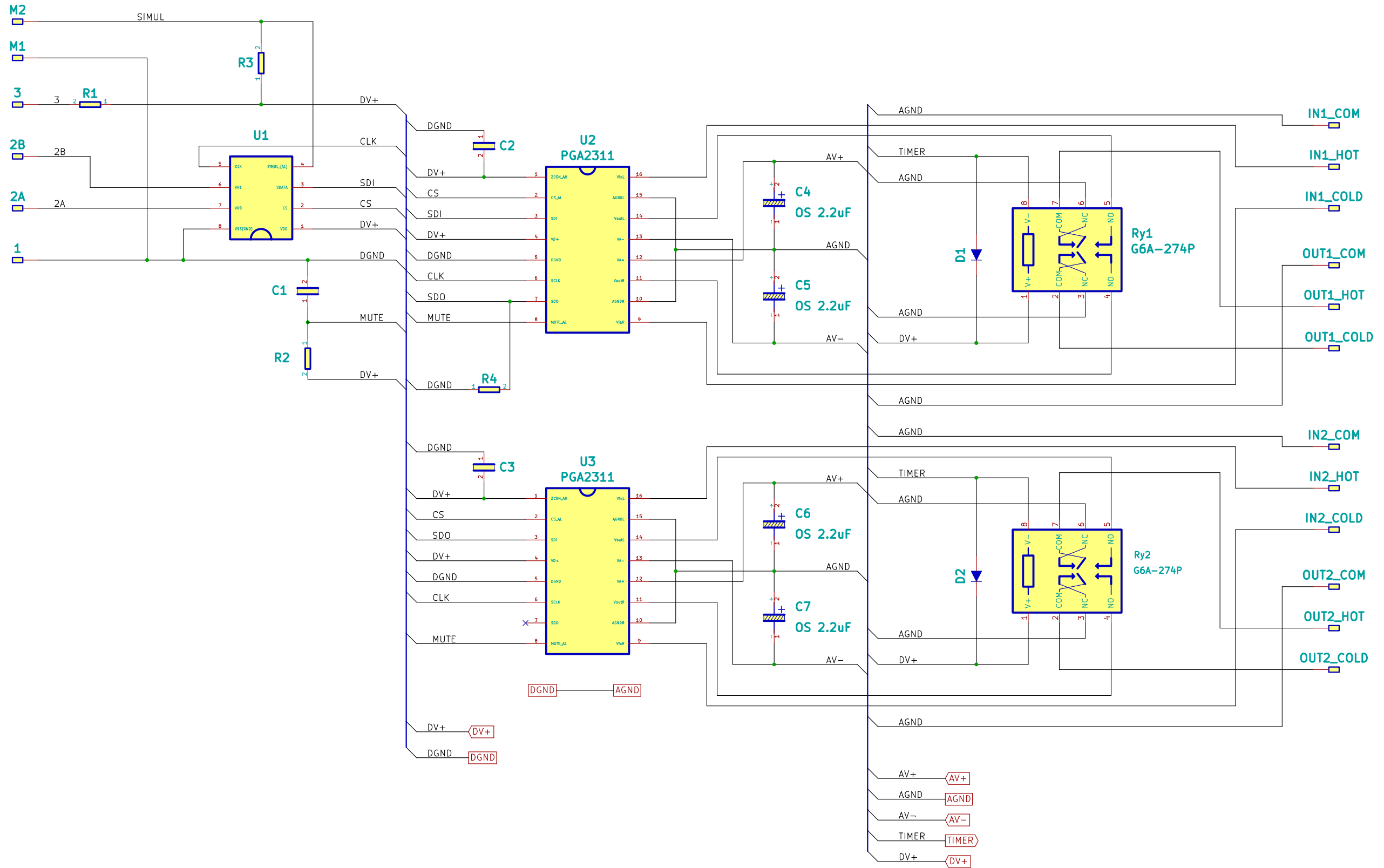
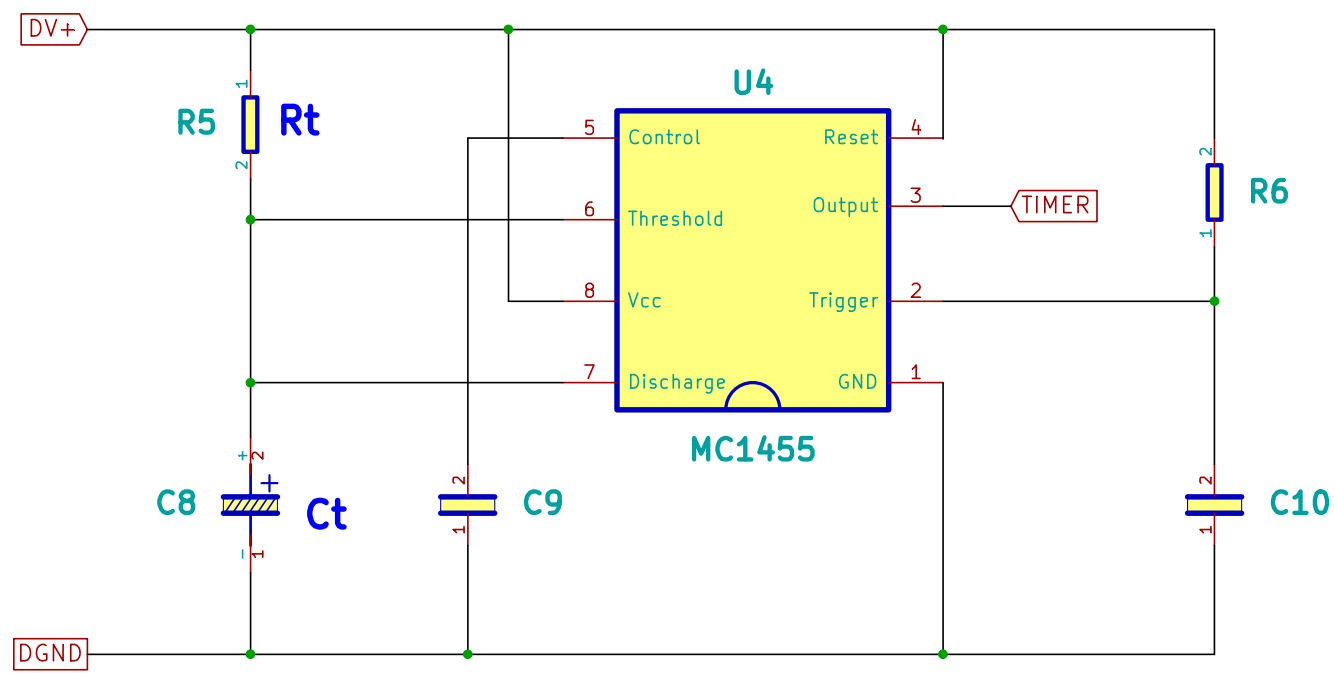


OPEN(H): Independence mode
 CLOSE(L): Linkage mode

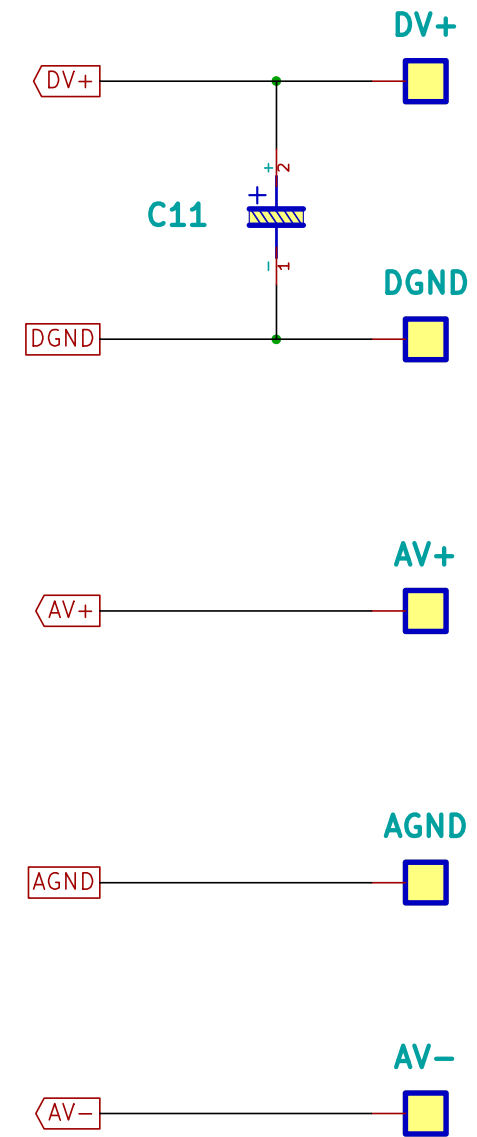


Sheet: Power
 File: BL2CH-PS.sch

audioworks.jp	
File: BL2chEVR+MUTE_web.sch	
Sheet: /	
Title: MUTE555 Version3.0	
Size: A3	Date: 30 oct 2015
KiCad E.D.A. eschema (2013-07-07 BZR 4022)-stable	Rev: 0
	Id: 1/2



Delay time = 1.1 x Rt x Ct [sec]



File: BL2CH-PS.sch		
Sheet: /Power/		
Title:		
Size: A4	Date: 30 oct 2015	Rev:
KiCad E.D.A. eeschema (2013-07-07 BZR 4022)-stable		Id: 2/2